



FAG

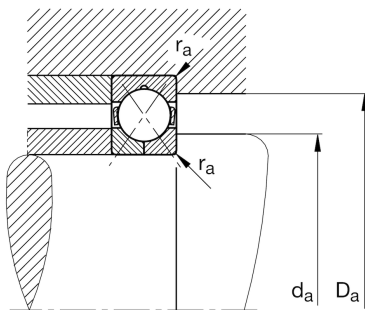
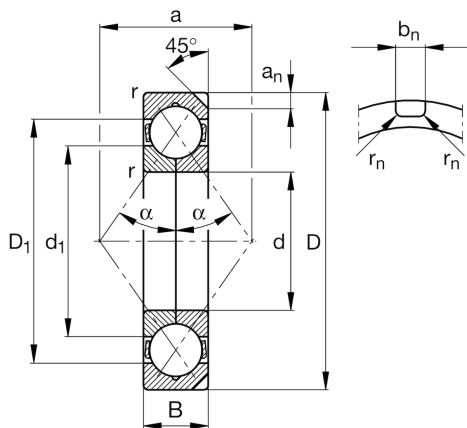
QJ212-XL-N2-MPA-C3

Four-point contact bearing

Schaeffler ID:
0192606360030Four point contact bearing QJ2..-XL-N2-
MPA, X-life, holding grooves, solid brass
cage

X-life

Technical information



Main Dimensions & Performance Data

d	60 mm	Bore diameter
D	110 mm	Outside diameter
B	22 mm	Width
C _r	94.000 N	Basic dynamic load rating, radial
C _{0r}	87.000 N	Basic static load rating, radial
C _{ur}	6.100 N	Fatigue load limit, radial
n _G	12.300 1/min	Limiting speed
n _{gr}	5.400 1/min	Reference speed
	0,942 kg	Weight

Dimensions

r _{min}	1,5 mm	Minimum chamfer dimension
D ₁	93 mm	Shoulder diameter outer ring
d ₁	77,1 mm	Shoulder diameter inner ring
a	60 mm	Distance between the apexes of the pressure cones
a _n	5 mm	Height retaining slot
b _n	6,5 mm	Width retaining slot
r _n	0,5 mm	Radius retaining slot
	45 °	Angle retaining slot
α	35 °	Contact angle

Mounting dimensions

d _{a min}	69 mm	Minimum diameter shaft shoulder
D _{a max}	101 mm	Maximum diameter of housing shoulder
r _{a max}	1,5 mm	Maximum fillet radius

Temperature range

T _{min}	-30 °C	Operating temperature min.
T _{max}	150 °C	Operating temperature max.